

## SG-ZCM2035N(D)-O

- 2Megapixel 35x Zoom Starlight Network (and Digital Dual Output) Camera Module



### 1. Features

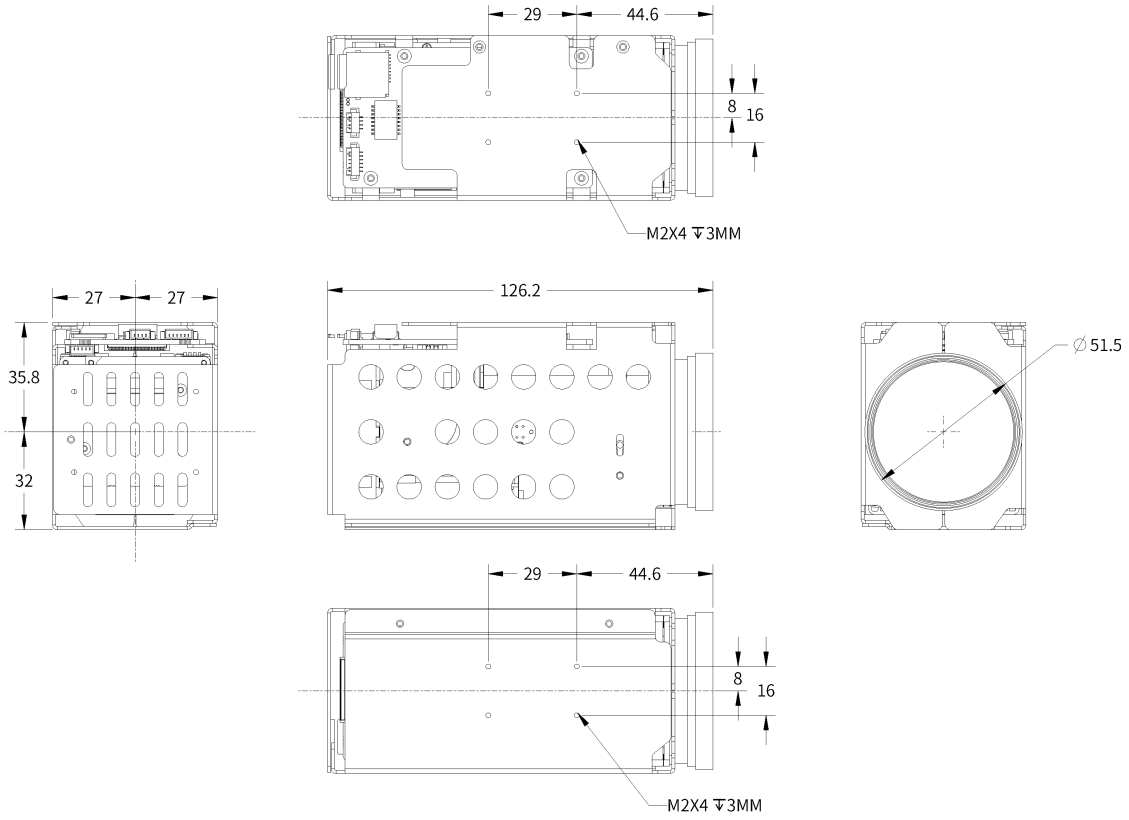
- > 1/2" Sony Exmor CMOS Sensor.
- > Powerful 35x optical zoom (6~210mm).
- > Max. 2Mp(1920x1080) Resolution
- > Support various IVS functions
- > Support Electronic Defog and Optical Defog
- > **-ND version can support LVDS digital video output synchronously.**

### 2. Specification

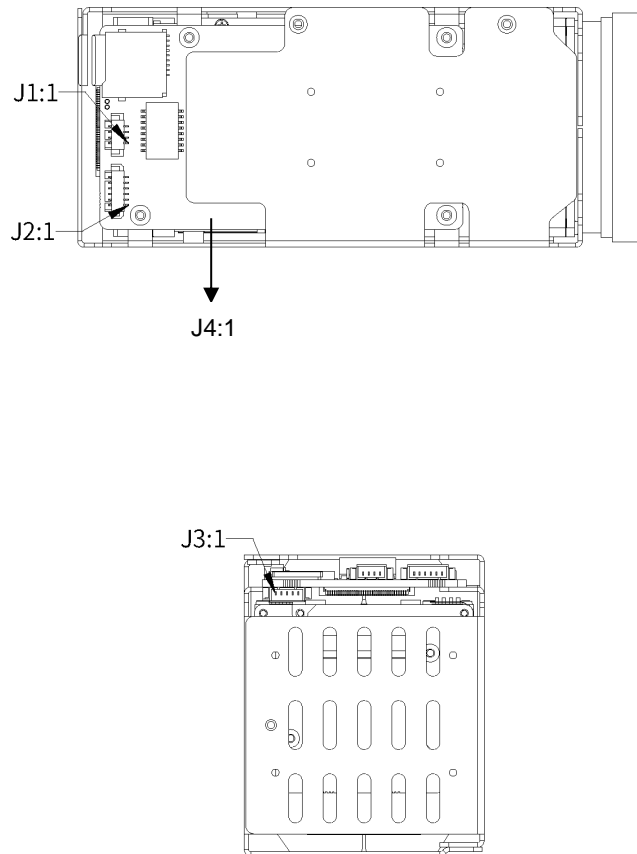
Model		SG-ZCM2035N-O		SG-ZCM2035ND-O	
Sensor	Image Sensor	1/2" Sony Starvis progressive scan CMOS			
	Effective Pixels	Approx. 2.13 Megapixel			
Lens	Focal Length	6mm~210mm, 35x Optical Zoom			
	Aperture	F1.5~F4.8			
	Field of View	H: 61.9°~1.9°, V:37.2°~1.1°, D: 60°~2.2°			
	Close Focus Distance	1m~1.5m (Wide~Tele)			
	Zoom Speed	Approx. 4.5s (Optical Wide~Tele)			
	DORI Distance (Human)	Detect	Observe	Recognize	Identify
	2,315m	918m	463m	231m	
Video	Compression	H.265/H.264/H.264H/MJPEG			
	Streaming Capability	3 streams			
	Resolution	50Hz: 50fps@2MP(1920x1080) 60Hz: 60fps@2MP(1920x1080)		50Hz: 50fps@2MP(1920x1080) 60Hz: 60fps@2MP(1920x1080)	
	Video Bit Rate	32kbps~16Mbps			
	Audio	AAC / MP2L2			

	LVDS Video	N/A	50Hz: 50fps@2MP(1920×1080) 60Hz: 60fps@2MP(1920×1080)
Network	Storage	TF card (256 GB), FTP, NAS	
	Network Protocol	Onvif, HTTP, HTTPS, IPv4, IPv6, RTSP, DDNS, RTP, TCP, UDP	
	Multicast	Support	
General Events		Motion, Tamper, SD Card, Network	
IVS		Tripwire, Cross Fence Detection, Intrusion, Abandoned Object, Fast-Moving, Parking Detection, Crowd Gathering Estimation, Missing Object, Loitering Detection.	
S/N Ratio		≥55dB (AGC Off, Weight ON)	
Minimum Illumination		Color: 0.001Lux/F1.5; B/W: 0.0001Lux/F1.5	
Noise Reduction		2D/3D	
Exposure Mode		Auto, Aperture Priority, Shutter Priority, Gain Priority, Manual	
Exposure Compensation		Support	
Shutter Speed		1/1~1/30000s	
BLC		Support	
HLC		Support	
WDR		Support	
White Balance		Auto, Manual, Indoor, Outdoor, ATW, Sodium lamp, Street lamp, Natural, One Push	
Day/Night		Electrical, ICR(Auto/Manual)	
Focus Mode		Auto, Manual, Semi Auto, Fast Auto, Fast Semi Auto, One Push AF	
Electronic Defog		Support	
Optical Defog		Support, 750nm~1100nm channel is Optical Defog	
Flip		Support	
EIS		Support	
Digital Zoom		16x	
External Control		TTL	
Interface		4pin Ethernet port, 6pin Power & UART port, 5pin Audio port.	
Communication Protocol		SONY VISCA, Pleco D/P	
Operating Conditions		-30°C~+60°C/20% to 80%RH	
Storage Conditions		-40°C~+70°C/20% to 95%RH	
Power Supply		DC 12V	
Power Consumption		Static power: 4.5W, Sports power: 5.5W	
Dimensions(L*W*H)		126mm*54mm*68mm	
Weight		410g	

### 3. Dimension



#### 4. Interface Definition



#### Network Interface

Type	PIN Number	PIN Name	Description
J1_4pin Ethernet Interface	1	ETHRX-	Adaptive Ethernet port, Internet RX-
	2	ETHRX+	Adaptive Ethernet port, Internet RX+
	3	ETHTX-	Adaptive Ethernet port, Internet TX-
	4	ETHTX+	Adaptive Ethernet port, Internet TX+
J2_6pin Power & UART Interface	1	DC_IN	DC12V
	2	GND	GND
	3	RXD1	TTL Level 3.3V, Pelco Protocol
	4	TXD1	TTL Level 3.3V, Pelco Protocol
	5	RXD0	TTL Level 3.3V, Visca Protocol
	6	TXD0	TTL Level 3.3V, Visca Protocol
J3_5pin Audio Interface	1	AUDIO_OUT	Audio Out (Line Out)
	2	GND	GND
	3	AUDIO_IN	Audio In (Line In)
	4	GND	GND
	5	NC	NC

#### LVDS Interface (SG-ZCM2035ND-O only)

Port	Number	PIN Name	Description
J4_30pin LVDS Interface (Similar to SONY 30pin Digital Interface)	1	NC	NC
	2	NC	
	3	NC	
	4	NC	
	5	NC	
	6	NC	
	7	NC	
	8	NC	
	9	GND	GND
	10	GND	
	11	GND	
	12	GND	
	13	DC	DC output (DC+7V~+12V)
	14	DC	
	15	DC	
	16	DC	
	17	DC	
	18	UART1_TX	TTL level 3.3V, VISCA protocol, the same to TXD0 on J3_6pin Port. But cannot connect at the same time.
	19	UART1_RX	TTL level 3.3V, VISCA protocol, the same to RXD0 on J3_6pin Port. But cannot connect at the same time.
	20	GND	GND
	21	TXOUT0-	
	22	TXOUT0+	
	23	TXOUT1-	
	24	TXOUT1+	
	25	TXOUT2-	
	26	TXOUT2+	
	27	TXOUTCLK-	

	28	TXOUTCLK+	
	29	TXOUT3-	
	30	TXOUT3+	

---

**Hangzhou Savgood Technology Co., Ltd.**

Rm. 1201, Xincheng Fazhan Building #1, No. 406 Xintiandi Street,  
Gongshu District, Hangzhou City, 310015, China

Tel: +86 - (571) 8803 8121

Email: sales@savgood.com

<http://www.savgood.com>

<http://www.savgoodtech.com>

\*Design and specifications are subject to change without prior notification.

© 2013 Savgood Technology Co., Ltd.