

SG-TCM06N2-M25225(30150/20100/2575)

- 640x512 Thermal Network Camera Module with Motorized Lens



1. Features

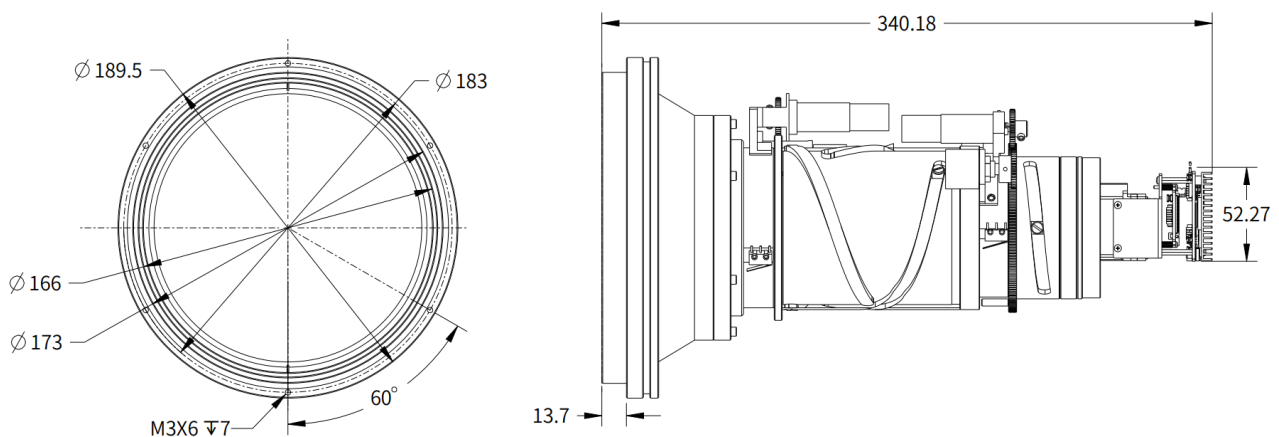
- > 640x512 resolution, high sensitivity sensor
- > 12um pixel pitch.
- > 25~225mm (30~150mm, 20~100mm, 25~75mm Optional) motorized thermal lens
- > Support fast auto focus
- > Support various IVS functions
- > Support Fire Detection
- > Support Analog and Ethernet dual output

2. Specification

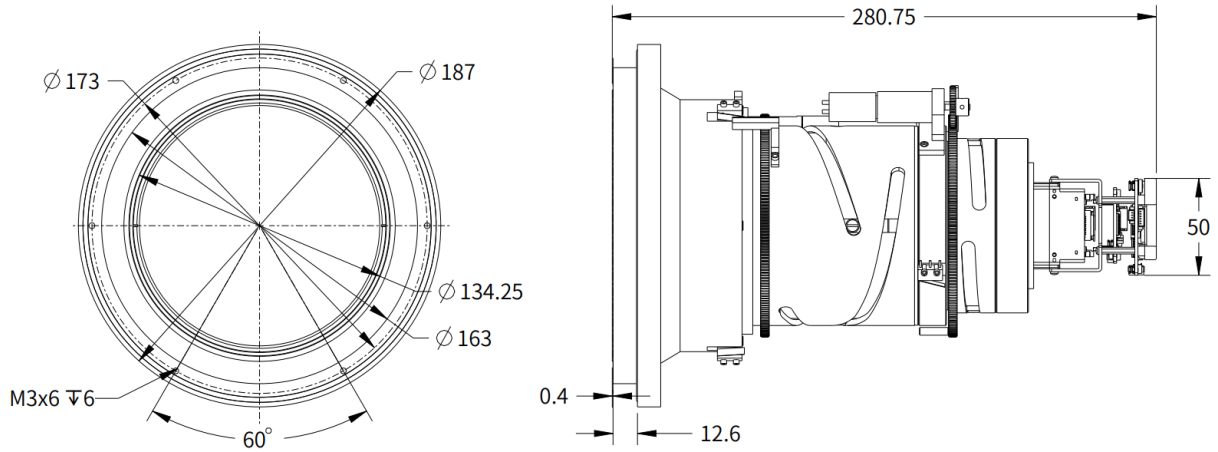
Model		SG-TCM06N2-M25225	SG-TCM06N2-M30150	SG-TCM06N2-M20100	SG-TCM06N2-M2575
Sensor	Image Sensor	Uncooled VOx microbolometer			
	Resolution	640 x 512			
	Pixel Size	12μm			
	Spectral Range	8~14μm			
	NETD	≤40mK@25°C, F#1.0			
Lens	Focal Length	25~225mm motorized Lens	30~150mm motorized Lens	20~100mm motorized Lens	25~75mm motorized Lens
	Optical Zoom	9x	5x	5x	3x
	Digital Zoom	N/A	N/A	N/A	N/A
	F Value	F1.0~F1.5	F0.9~F1.2	F0.8~F1.1	F1.0~F1.2
	FOV	17.5°x14°~2°x1.6°	14.6°x11.7°~2.9°x2.3°	21.7°x17.5°~4.4°x3.5°	17.5°x14°~5.9°x4.7°

Video	Compression	H.265/H.264/H.264H		
	Snapshot	JPEG		
	Pseudo color	Support: White Hot, Black Hot, Iron Red, Rainbow 1, Fulgurite, Rainbow 2, Fusion, Bluish Red, Amber, Arctic, Tint		
	Streams	Main Stream: 25fps@(1280x1024), 25fps@(640x512) Sub Stream: 25fps@(704x675), 25fps@(352x288)		
Network	Network Protocol	IPv4/IPv6, HTTP, HTTPS, Qos, FTP, SMTP, UPnP, DNS, DDNS, NTP, RTSP, RTP, TCP, UDP, DHCP, PPPoE, 802.1X, IP Filter		
	Interoperability	ONVIF Profile S, Open API, SDK		
	Max. Connection	20		
Intelligence	Normal Event	Motion Detection, Audio detection, IP address conflict, Illegal Access, Storage anomaly		
	IVS functions	Support intelligent functions: Tripwire, Cross Fence Detection, Intrusion, Loitering Detection.		
	Fire Detection	Support		
Interface	Ethernet	4PIN Ethernet port, 10M/100M self-adaption		
	Analog Video	1ch CVBS		
	Alarm In/Out	1/1		
	Audio In/Out	1/1		
	RS485	Support		
Resolution	50Hz: 25fps@(1280x1024)			
Storage Capabilities	Micro SD card, up to 256G			
Power Supply	DC 12V, 1A			
Operating Conditions	-20°C~+60°C/20% to 80%RH			
Storage Conditions	-40°C~+65°C/20% to 95%RH			
Dimensions(L*W*H)	Approx. 340mm*190mm* 190mm	Approx. 281mm*187mm* 187mm	Approx. 235mm*160mm* 160mm	Approx. 191mm*98mm*9 8mm
Weight	Approx. 3.65kg	Approx. 3.4kg	Approx. 2.6kg	Approx. 1.2kg

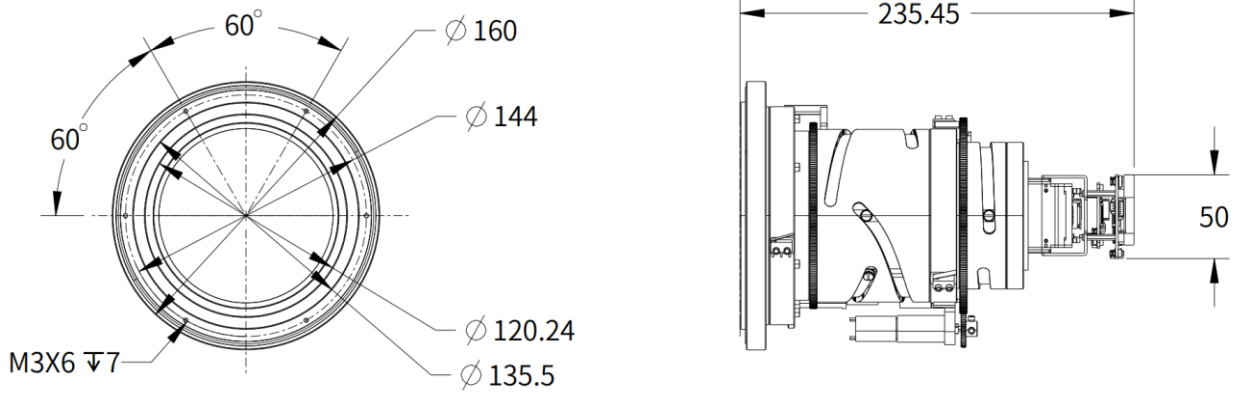
3. Dimension



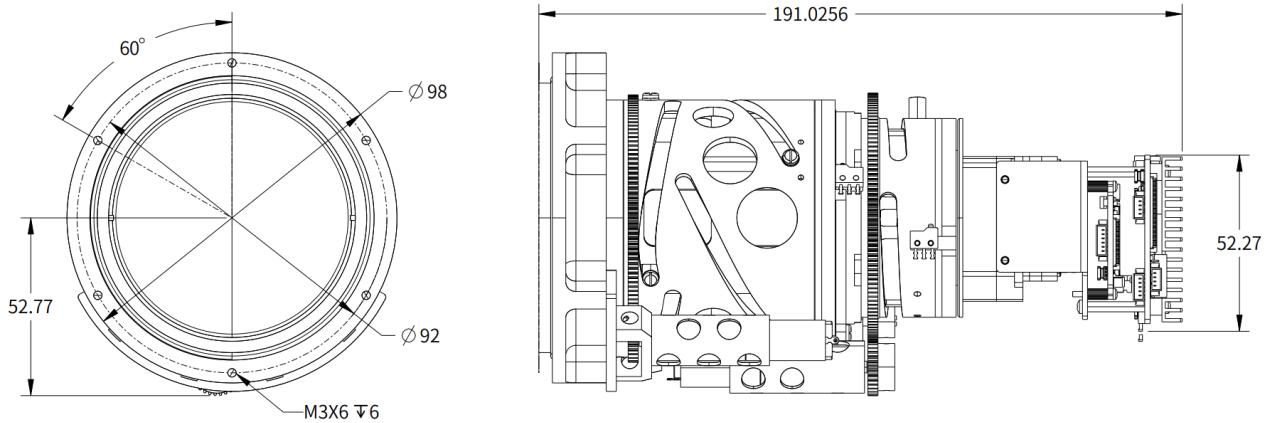
25~225mm thermal module



30~150mm thermal module

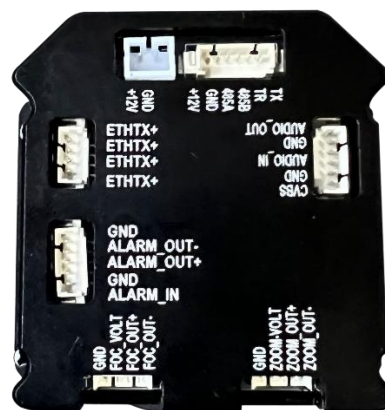
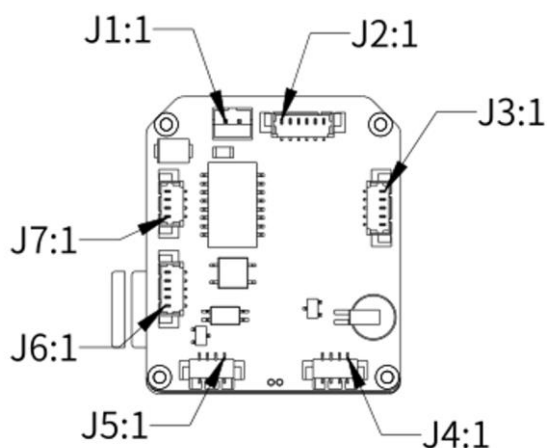


20~100mm thermal module



25~75mm thermal module

4. Interface Definition



Encoding board

Type	PIN Number	PIN Name	Description
J1_2pin Power (PH_2A, 2.0mm)	1	DC_IN	DC12V±10%
	2	GND	GND
J2_6pin Power & UART Interface (A1251-06A, 1.25mm)	1	DC_IN	DC12V±10%
	2	GND	GND
	3	485+	RS485+, Pelco Protocol
	4	485-	RS485-, Pelco Protocol
	5	RXD0	TTL 3.3V, Visca Protocol
	6	TXD0	TTL 3.3V, Visca Protocol
J3_5pin Audio (A1251-05A, 1.25mm)	1	AUDIO_OUT	Audio Out (Line Out)
	2	GND	GND
	3	AUDIO_IN	Audio In (Line In)
	4	GND	GND
	5	CVBS	CVBS
J4_Thermal Zoom	1~4	Zoom	Thermal Zoom
J5_Thermal Focus	1~4	Focus	Thermal Focus
J6_5pin Alarm (A1251-05A, 1.25mm)	1	Alarm_IN	Alarm In
	2	GND	GND
	3	Alarm_OUT+	Alarm Out
	4	Alarm_OUT-	Alarm Out
	5	GND	GND
J7_4pin Ethernet (A1251-04A, 1.25mm)	1	ETHRX-	Adaptive Ethernet port, Internet RX-
	2	ETHRX+	Adaptive Ethernet port, Internet RX+
	3	ETHTX-	Adaptive Ethernet port, Internet TX-
	4	ETHTX+	Adaptive Ethernet port, Internet TX+

Rm. 701, Xincheng Fazhan Building #1, No. 406 Xintiandi Street,
Xiacheng District, Hangzhou City, 310004, China
Tel: +86 - (571) 8803 8121
Email: sales@savgood.com
<http://www.savgood.com>
<http://www.savgoodtech.com>

*Design and specifications are subject to change without prior notification.
© 2013 Savgood Technology Co., Ltd.