

SG-PTZ4037NK-6T25(T)

- Thermal + Optical Bi-spectrum Network NDAA PTZ Dome Camera

- 640x512 Thermal 25mm Lens + 4MP 37x Zoom Starlight Network Camera Module



1. Features

- > 1 Channel Thermal and Visible Video complex stream.
- > One IP address for Main Control Chip, more stable than double IP version products.
- > Horizontal 360° rotation, speed up to 0.1°~30°/S
- > Vertical -90°~+90°, speed up to 0.1°~15°/S
- > IR distance 60m, IP67 Water proof

Visible Camera

- > 1/1.8" Sony Exmor CMOS Sensor.
- > Powerful 37x optical zoom (6.5~240mm).
- > Max. 4Mp(2688x1520) Resolution
- > Support various IVS functions
- > Support Electronic Defog & Optical Defog
- > With NOVATEK high performance chip

Thermal Camera

- > 640x512 Resolution, high sensitivity sensor
- > 12um Pixel pitch.
- > 25mm Fixed Thermal Lens (13mm/19mm/35mm Lens for optional)
- > SG-PTZ4037NK-6T25T can support Temperature measurement function

2. Specification

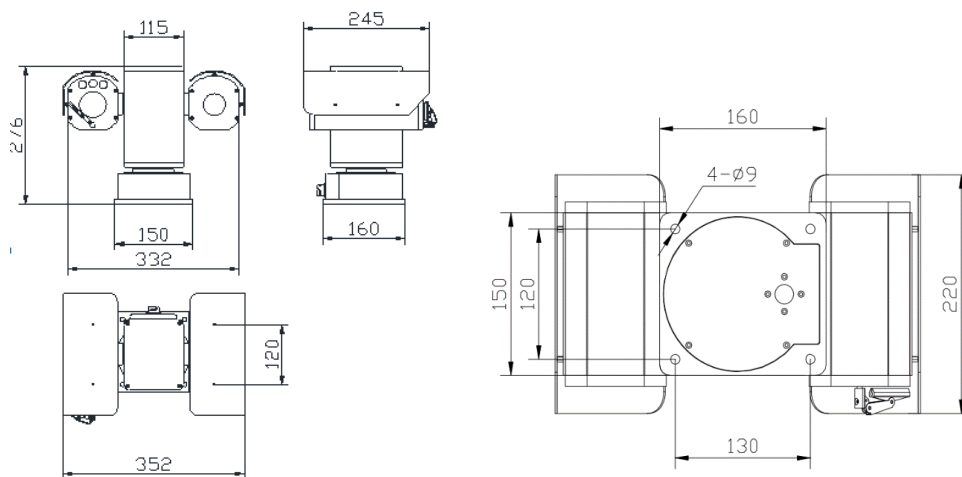
Model	SG-PTZ4037NK-6T25	SG-PTZ4037NK-6T25T
Thermal Camera		

Sensor	Image Sensor	Uncooled VOx Microbolometer			
	Resolution	640 x 512			
	Pixel Size	12µm			
	Spectral Range	8~14µm			
Lens	Focal Length	25mm (13mm/19mm/35mm Lens for optional)			
	F Value	F1.0			
	Focus	Athermalized, Focus-free			
	Angle of View	17.6°x14.1° (32.9°x26.6°/ 22.9°x18.4°/ 12.5°x10° optional)			
Video	Resolution	50Hz: 25fps@(1280x1024, 1280x720) 60Hz: 30fps@(1280x1024, 1280x720)			
	Pseudo color	Support: White Hot, Fulgurite, Iron Red, Hot Iron, Medical, Arctic, Rainbow 1, Rainbow 2, Tint			
IVS		Tripwire, Cross Fence Detection, Intrusion			
Fire Detection		Support	Support		
Temperature	Temperature measurement	N/A	Support		
	Measurement Range	N/A	Low-T mode: -20°C~150°C, High-T mode: 0°C~550°C		
	Measurement Accuracy	N/A	±4°C or ±4% (Take large values)		
	Measurement Tools	N/A	12 spots / 12 areas / 12 lines / Max. & Avg. & Min. Temp on screen / Max. 12 rules / Comparative analysis		
	Actions	N/A	Tigger Relay out, Snapshot, Record, PTZ call, High & Low Temp track.		
Visible Camera					
Sensor	Image Sensor	1/1.8" Sony Starvis progressive scan CMOS			
	Effective Pixels	Approx. 4.17 Megapixel			
Lens	Focal Length	6.5mm~240mm, 37x Optical Zoom			
	Aperture	F1.5~F4.8			
	Field of View	H: 61.8°~1.86°, V: 37.2°~1.05°, D: 69°~2.1°			
	Close Focus Distance	1m~1.5m (Wide~Tele)			
	Zoom Speed	Approx. 4.0s (Optical Wide~Tele)			
	DORI Distance (Human)	Detect	Observe	Recognize	Identify
	3,311m	1,314m	662m	331m	
Video	Compression	H.265/H.264/H.264H/MJPEG			
	Streaming Capability	3 streams			
	Resolution	50Hz: 25/50fps@4Mp(2688x1520) 60Hz: 30/60fps@4Mp(2688x1520)			
	Video Bit Rate	32kbps~16Mbps			

	Audio	AAC / MP2L2
General Events		Motion, Tamper, SD Card, Network
IVS		Tripwire, Cross Fence Detection, Intrusion, Abandoned Object, Fast-Moving, Parking Detection, Crowd Gathering Estimation, Missing Object, Loitering Detection.
S/N Ratio		≥55dB (AGC Off, Weight ON)
Minimum Illumination		Color: 0.005Lux/F1.5; B/W: 0.0005Lux/F1.5
Noise Reduction		2D/3D
Exposure Mode		Auto, Aperture Priority, Shutter Priority, Gain Priority, Manual
Exposure Compensation		Support
Shutter Speed		1/1~1/30000s
BLC		Support
HLC		Support
WDR		Support
White Balance		Auto, Manual, Indoor, Outdoor, ATW, Sodium lamp, Street lamp, Natural, One Push
Day/Night		Electrical, ICR(Auto/Manual)
IR Distance		60m
Focus Mode		Auto, Manual, Semi Auto, Fast Auto, Fast Semi Auto, One Push AF
Electronic Defog		Support
Optical Defog		Support
Flip		Support
EIS		Support
Digital Zoom		16x
PTZ		
Pan/Tilt Range		Pan: 360°; Tilt: -90°~90°
Pan Speed		Configurable, pan: 0.1°~30°/s; preset speed: 30°/s
Tilt Speed		Configurable, pan: 0.1°~15°/s; preset speed: 15°/s
Presets		256
Patrol		8 Patrols, up to 32 presets for each patrol
Line Scan		5
Idle Motion		Activate Preset/Scan/Tour/Pan Scan
Power up action		Activate Preset/Scan/Tour/Pan Scan
General Function		

Compression	H.265/H.264/H.264H/MJPEG	
Storage Capabilities	TF card (256 GB), FTP, NAS	
Network Protocol	Onvif, HTTP, HTTPS, IPv4, IPv6, RTSP, DDNS, RTP, TCP, UDP	
Interoperability	ONVIF, GB/T28181, CGI	
Interface	Power Interface	DC24 3A
	Ethernet	RJ45(10Base-T/100Base-TX)
	Audio I/O	1/1
	Alarm I/O	1/1
	RS485	1, support Pelco-D protocol
Working Conditions	-40°C~+65°C(<90%RH)	
Power Supply	DC24V / 3A ±15%	
Power Consumption	Max. 20W	
Vibration Test	Frequency 10-55Hz, 1 octave/min, amplitude 0.35mm, three tests in X, Y and Z directions respectively, the PTZ is in non-working state, the test is normal, GB 16796-2009	
Protection Level	IP67; TVS 4000V Lightning Protection, GB/T17626.5	
Dimensions(L*W*H)	332(mm)×245(mm) ×276(mm)	
Weight	7.5kg	

3. Dimension



Hangzhou Savgood Technology Co., Ltd.

Rm. 701, Xincheng Fazhan Building #1, No. 406 Xintiandi Street,
 Xiacheng District, Hangzhou City, 310004, China
 Tel: +86 - (571) 8803 8121
 Email: sales@savgood.com
<http://www.savgood.com>
<http://www.savgoodtech.com>

*Design and specifications are subject to change without prior notification.
 © 2013 Savgood Technology Co., Ltd.