

SG-PTZ2068N-6T75

- Thermal + Optical Bi-spectrum Heavy Load High Precision Network PTZ Camera
- 640x512 Detector with 75mm Motor Lens Network Thermal Imaging Camera Module
- 2Mp 6~408mm 68x Optical Zoom Starlight Network Zoom Camera Module



1. Features

- > Horizontal 360° rotation, speed up to 0.1°~150°/s
- > Vertical -90°~+40°, speed up to 0.1°~60°/s
- > Precision of pre-positioning $\pm 0.1^\circ$

Visible Camera

- > 1/1.8" Sony Exmor CMOS Sensor.
- > Powerful 68x optical zoom (6~408mm).
- > Max. 2Mp(1920x1080) Resolution
- > Support various IVS functions
- > Support video output from the network port.

Thermal Camera

- > 640x512 Resolution, high sensitivity sensor
- > 12um Pixel pitch.
- > 75mm Motor Thermal Lens
- > Support various IVS functions

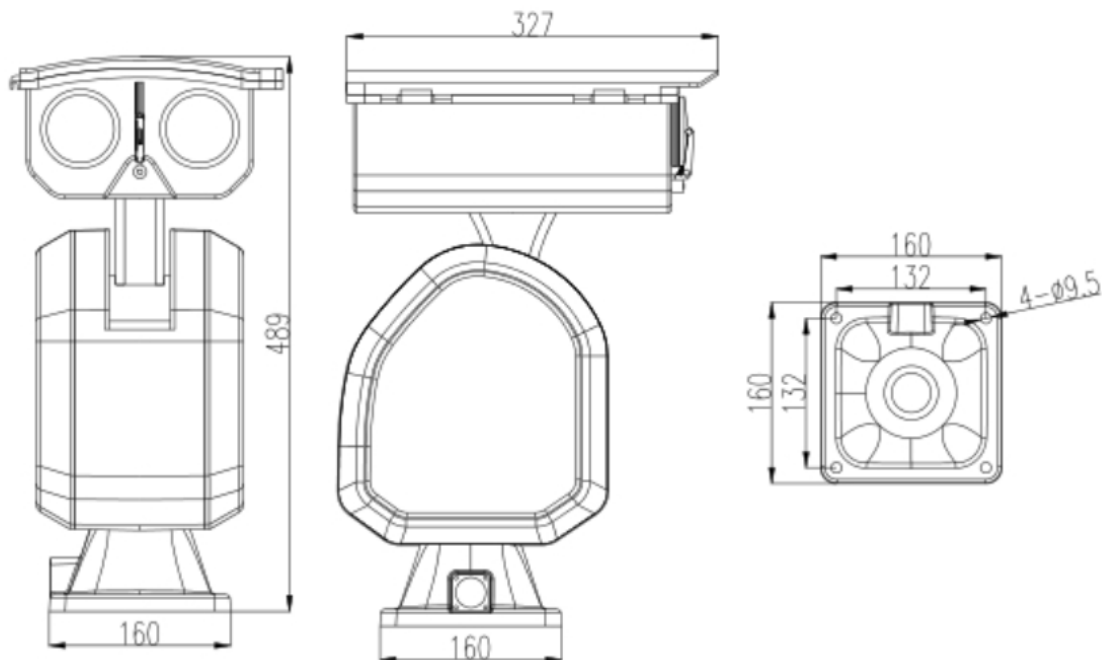
2. Specification

Model		SG-PTZ2068N-6T75			
Thermal					
Sensor	Image Sensor	Uncooled VOx microbolometer			
	Resolution	640 x 512			
	Pixel Size	12µm			
	Spectral Range	8~14µm			
	NETD	≤50mK@25°C, F#1.0			
Lens	Focal Length	75mm Motor Lens			
	Digital Zoom	N/A			
	F Value	F1.0			
	FOV	5.9°x4.7°			
Video	Compression	H.265/H.264/H.264H			
	Snapshot	JPEG			
	Pseudo color	Support: White Hot, Black Hot, Iron Red, Rainbow 1, Fulgurite, Rainbow 2, Fusion, Bluish Red, Amber, Arctic, Tint			
	Streams	Main Stream: 25fps@(704x576), 25fps@(352x288) Sub Stream: 25fps@(704x576), 25fps@(352x288)			
Network	Network Protocol	IPv4/IPv6, HTTP, HTTPS, Qos, FTP, SMTP, UPnP, DNS, DDNS, NTP, RTSP, RTP, TCP, UDP, DHCP, PPPoE, 802.1X, IP Filter			
	Interoperability	ONVIF Profile S, Open API, SDK			
	Max. Connection	20			
Intelligence	Normal Event	Motion Detection, Audio detection, IP address conflict, Illegal Access, Storage anomaly			
	IVS functions	Support intelligent functions: Tripwire, Cross Fence Detection, Intrusion, Loitering Detection.			
	Fire Detection	Support			
Resolution		50Hz: 25fps@(704x576)			
Storage Capabilities		Micro SD card, up to 256G			
Visible					
Sensor	Image Sensor	1/1.8" Sony Starvis progressive scan CMOS			
	Effective Pixels	Approx. 4.17 Megapixel			
Lens	Focal Length	6mm~408mm, 68x Optical Zoom			
	Aperture	F1.4~F4.6			
	Field of View	H: 66.0°~1.0°, V: 40.3°~0.6°, D:73.4°~1.2°			
	Close Focus Distance	1m~5m (Wide~Tele)			
	Zoom Speed	Approx. 8s (Optical Wide~Tele)			
	DORI Distance (Human)	Detect	Observe	Recognize	Identify
Video	Compression	H.265/H.264/H.264H/MJPEG			
	Streaming Capability	3 streams			

	Resolution	50Hz: 25fps@2MP(1920×1080), 25fps@1MP(1280×720) 60Hz: 30fps@2MP(1920×1080), 30fps@1MP(1280×720)
	Video Bit Rate	32kbps~16Mbps
	Audio	AAC / MP2L2
Network	Storage	TF card (256 GB), FTP, NAS
	Network Protocol	Onvif, HTTP, HTTPS, IPv4, IPv6, RTSP, DDNS, RTP, TCP, UDP
	Multicast	Support
General Events		Motion, Tamper, SD Card, Network
IVS		Tripwire, Cross Fence Detection, Intrusion, Abandoned Object, Fast-Moving, Parking Detection, Crowd Gathering Estimation, Missing Object, Loitering Detection.
S/N Ratio		≥55dB (AGC Off, Weight ON)
Minimum Illumination		Color: 0.005Lux/F1.4; B/W: 0.0005Lux/F1.4
Noise Reduction		2D/3D
Exposure Mode		Auto, Aperture Priority, Shutter Priority, Gain Priority, Manual
Exposure Compensation		Support
Shutter Speed		1/1~1/30000s
BLC		Support
HLC		Support
WDR		Support
White Balance		Auto, Manual, Indoor, Outdoor, ATW, Sodium lamp, Street lamp, Natural, One Push
Day/Night		Electrical, ICR(Auto/Manual)
Focus Mode		Auto, Manual, Semi Auto, Fast Auto, Fast Semi Auto, One Push AF
Electronic Defog		Support
Optical Defog		Support, 750nm~1100nm channel is Optical Defog
Heat Haze Reduction		Support
Flip		Support
EIS		Support
Digital Zoom		16x
Pan Tilt		
Power On/OFF Self-Checking		Yes
Preset		255
Communication Mode		RS485
Pan/Tilt Range		Pan: 360° rotate; Tilt: -90°~+40°
Pan Speed		Configurable, pan: 0.1°~150°/s
Tilt Speed		Configurable, pan: 0.1°~60°/s
Precision of pre-positioning		±0.1°
Scan		Support
Wiper		Support (For visible camera)

Interface	
Power Interface	Support
Ethernet	1x RJ45 (10Base-T/100Base-TX)
Audio I/O	1/1 (for Visible Camera only)
Alarm I/O	1/1
Analog Video	1 port (BNC, 1.0V[p-p], 75Ω) for Visible Camera only
RS485	1
General	
Waterproof	IP66
Power	DC 36V Power input
Power Consumption	50W
Humidity	0-90% non-condensing
Working temperature	-40°C~70°C/20% to 90%RH
Dimensions(L*W*H)	489mm*327mm*244mm
Weight	Approx. 20kg

3. Dimension



Hangzhou Savgood Technology Co., Ltd.

Rm. 701, Xincheng Fazhan Building #1, No. 406 Xintiandi Street,
 Xiacheng District, Hangzhou City, 310004, China
 Tel: +86 - (571) 8803 8121
 Email: sales@savgood.com
<http://www.savgood.com>
<http://www.savgoodtech.com>

*Design and specifications are subject to change without prior notification.
 © 2013 Savgood Technology Co., Ltd.