

SG-PTZ2050NO-6T55

- Thermal + Optical Bi-spectrum Heavy Load High Precision Network PTZ Camera
- 640x512 Detector with 55mm Athermalized Lens Network Thermal Imaging Camera Module
- 2Mp 6~300mm 50x Optical Zoom Starlight Network Zoom Camera Module



1. Features

- > Horizontal 360° rotation, speed up to 0.1°~150°/s
- > Vertical -90°~+40°, speed up to 0.1°~60°/s
- > Precision of pre-positioning $\pm 0.1^\circ$

Visible Camera

- > 1/2" Sony Exmor CMOS Sensor.
- > Powerful 50x optical zoom (6~300mm).
- > Max. 2Mp(1920x1080) Resolution
- > Support various IVS functions
- > Support Optical Defog
- > Support video output from the network port.

Thermal Camera

- > 640x512 Resolution, high sensitivity sensor
- > 12um Pixel pitch.
- > 55mm Athermalized Thermal Lens
- > Support various IVS functions

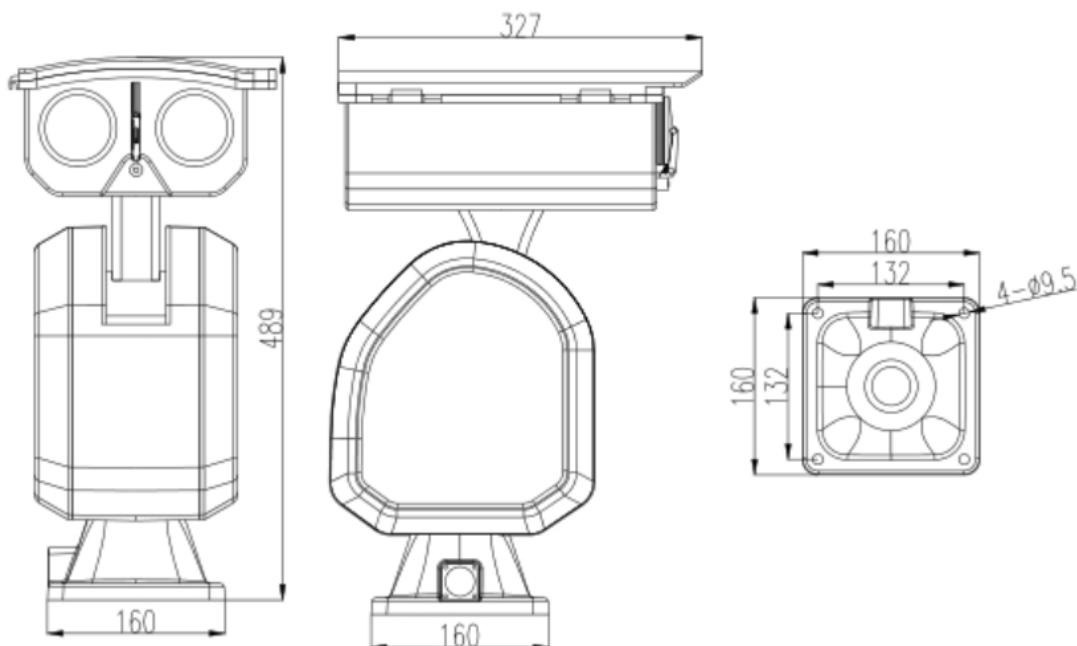
2. Specification

| Model | | SG-PTZ2050NO-6T55 | | | |
|----------------------|-----------------------|---|--------------------------|-----------|----------|
| Thermal | | | | | |
| Sensor | Image Sensor | Uncooled VOx microbolometer | | | |
| | Resolution | 640 x 512 | | | |
| | Pixel Size | 12µm | | | |
| | Spectral Range | 8~14µm | | | |
| | NETD | ≤50mK@25°C, F#1.0 | | | |
| Lens | Focal Length | 55mm Athermalized Lens | | | |
| | Digital Zoom | N/A | | | |
| | F Value | F1.0 | | | |
| | FOV | 8.0°x6.4° | | | |
| Video | Compression | H.265/H.264/H.264H | | | |
| | Snapshot | JPEG | | | |
| | Pseudo color | Support: White Hot, Black Hot, Iron Red, Rainbow 1, Fulgurite, Rainbow 2, Fusion, Bluish Red, Amber, Arctic, Tint | | | |
| | Streams | Main Stream: 25fps@(704x576), 25fps@(352x288) Sub Stream: 25fps@(704x576), 25fps@(352x288) | | | |
| Network | Network Protocol | IPv4/IPv6, HTTP, HTTPS, Qos, FTP, SMTP, UPnP, DNS, DDNS, NTP, RTSP, RTP, TCP, UDP, DHCP, PPPoE, 802.1X, IP Filter | | | |
| | Interoperability | ONVIF Profile S, Open API, SDK | | | |
| | Max. Connection | 20 | | | |
| Intelligence | Normal Event | Motion Detection, Audio detection, IP address conflict, Illegal Access, Storage anomaly | | | |
| | IVS functions | Support intelligent functions: Tripwire, Cross Fence Detection, Intrusion, Loitering Detection. | | | |
| | Fire Detection | Support | | | |
| Resolution | | 50Hz: 25fps@(704x576) | | | |
| Storage Capabilities | | Micro SD card, up to 256G | | | |
| Visible | | | | | |
| Sensor | Image Sensor | 1/2" Sony Starvis progressive scan CMOS | | | |
| | Effective Pixels | Approx. 2.13 Megapixel | | | |
| Lens | Focal Length | 6mm~300mm, 50x Optical Zoom | | | |
| | Aperture | F1.4~F4.5 | | | |
| | Field of View | H: 61.9°~1.3°, V: 37.2°~0.7°, D: 69°~1.5° | | | |
| | Close Focus Distance | 1m~5m (Wide~Tele) | | | |
| | Zoom Speed | Approx. 8s (Optical Wide~Tele) | | | |
| | DORI Distance (Human) | Detect | Observe | Recognize | Identify |
| Video | | Compression | H.265/H.264/H.264H/MJPEG | | |
| | | Streaming Capability | 3 streams | | |

| | | |
|------------------------------|------------------|--|
| | Resolution | 50Hz: 25fps@2MP(1920×1080), 25fps@1MP(1280×720) 60Hz: 30ps@2MP(1920×1080), 30fps@1MP(1280×720) |
| | Video Bit Rate | 32kbps~16Mbps |
| | Audio | AAC / MP2L2 |
| Network | Storage | TF card (256 GB), FTP, NAS |
| | Network Protocol | Onvif, HTTP, HTTPS, IPv4, IPv6, RTSP, DDNS, RTP, TCP, UDP |
| | Multicast | Support |
| General Events | | Motion, Tamper, SD Card, Network |
| IVS | | Tripwire, Cross Fence Detection, Intrusion, Abandoned Object, Fast-Moving, Parking Detection, Crowd Gathering Estimation, Missing Object, Loitering Detection. |
| S/N Ratio | | ≥55dB (AGC Off, Weight ON) |
| Minimum Illumination | | Color: 0.001Lux/F1.4; B/W: 0.0001Lux/F1.4 |
| Noise Reduction | | 2D/3D |
| Exposure Mode | | Auto, Aperture Priority, Shutter Priority, Gain Priority, Manual |
| Exposure Compensation | | Support |
| Shutter Speed | | 1/1~1/30000s |
| BLC | | Support |
| HLC | | Support |
| WDR | | Support |
| White Balance | | Auto, Manual, Indoor, Outdoor, ATW, Sodium lamp, Street lamp, Natural, One Push |
| Day/Night | | Electrical, ICR(Auto/Manual) |
| Focus Mode | | Auto, Manual, Semi Auto, Fast Auto, Fast Semi Auto, One Push AF |
| Electronic Defog | | Support |
| Optical Defog | | Support, 750nm~1100nm channel is Optical Defog |
| Heat Haze Reduction | | Support |
| Flip | | Support |
| EIS | | Support |
| Digital Zoom | | 16x |
| Pan Tilt | | |
| Power On/OFF Self-Checking | | Yes |
| Preset | | 255 |
| Communication Mode | | RS485 |
| Pan/Tilt Range | | Pan: 360° rotate; Tilt: -90°~+40° |
| Pan Speed | | Configurable, pan: 0.1°~150°/s |
| Tilt Speed | | Configurable, pan: 0.1°~60°/s |
| Precision of pre-positioning | | ±0.1° |
| Scan | | Support |
| Wiper | | Support (For visible camera) |

| Interface | |
|---------------------|--|
| Power Interface | Support |
| Ethernet | 1x RJ45 (10Base-T/100Base-TX) |
| Audio I/O | 1/1 (for Visible Camera only) |
| Alarm I/O | 1/1 |
| Analog Video | 1 port (BNC, 1.0V[p-p], 75Ω) for Visible Camera only |
| RS485 | 1 |
| General | |
| Waterproof | IP66 |
| Power | DC 36V Power input |
| Power Consumption | 50W |
| Humidity | 0-90% non-condensing |
| Working temperature | -40°C~70°C/20% to 90%RH |
| Dimensions(L*W*H) | 489mm*327mm*244mm |
| Weight | Approx. 20kg |

3. Dimension



Hangzhou Savgood Technology Co., Ltd.

Rm. 701, Xincheng Fazhan Building #1, No. 406 Xintiandi Street,
 Xiacheng District, Hangzhou City, 310004, China
 Tel: +86 - (571) 8803 8121
 Email: sales@savgood.com
<http://www.savgood.com>
<http://www.savgoodtech.com>

*Design and specifications are subject to change without prior notification.
 © 2013 Savgood Technology Co., Ltd.