

## SG-PTZ2030NKL-L5M / SG-PTZ2035NO-L8M

- 2Mp 30x /35x Zoom Starlight Laser Network Vehicle PTZ Camera



### 1. Features

- > Sony Exmor Starlight CMOS Sensor
- > Powerful 30x(4.7~141mm) / 35x(6~210mm) optical zoom
- > Max. 25/30fps@ 2Mp(1920x1080) Resolution
- > Support various IVS functions
- > Up to 500m / 800m Laser IR Distance
- > Military Connector
- > IP66
- > **SG-PTZ2030NKL-L5M is using NOVATEK high performance chip.**

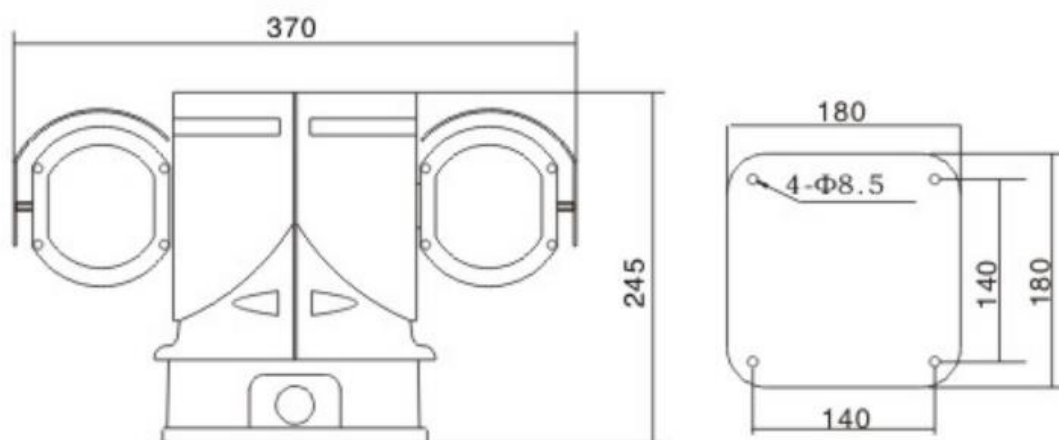
### 2. Specification

Model		SG-PTZ2030NKL-L5M	SG-PTZ2035NO-L8M
Sensor	Image Sensor	1/2.8" Sony Starvis progressive scan CMOS	1/1.9" Sony Starvis progressive scan CMOS
	Effective Pixels	Approx. 2.13 Megapixel	Approx. 2.13 Megapixel
Lens	Focal Length	4.7mm~141mm, 30x Optical Zoom	6mm~210mm, 35x Optical Zoom
	Aperture	F1.5~F4.0	F1.4~F4.8
	Field of View	H: 61.2°~2.2°, V: 36.8°~1.2°, D: 68.4°~2.5°	H: 61.9°~1.9°, V: 37.2°~1.1°, D: 60°~2.2°
	Close Focus Distance	1m~1.5m (Wide~Tele)	1m~1.5m (Wide~Tele)
	Zoom Speed	Approx. 3.5s (Optical Wide~Tele)	Approx. 4.5s (Optical Wide~Tele)
Video	Compression	H.265/H.264/H.264H/MJPEG	

	Streaming Capability	3 streams	
	Resolution	50Hz: 25fps@2MP(1920×1080) 60Hz: 30fps@2MP(1920×1080)	50Hz: 25fps@2MP(1920×1080) 60Hz: 30fps@2MP(1920×1080)
	Video Bit Rate	32kbps~16Mbps	
	Audio	AAC / MP2L2	
Network	Storage	TF card (256 GB), FTP, NAS	
	Network Protocol	Onvif, HTTP, HTTPS, IPv4, IPv6, RTSP, DDNS, RTP, TCP, UDP	
	Multicast	Support	
General Events		Motion, Tamper, SD Card, Network	
IVS		Tripwire, Cross Fence Detection, Intrusion, Abandoned Object, Fast-Moving, Parking Detection, Crowd Gathering Estimation, Missing Object, Loitering Detection.	
S/N Ratio		≥55dB (AGC Off, Weight ON)	
Minimum Illumination		Color: 0.005Lux/F1.5; B/W: 0.0005Lux/F1.5(IR On)	Color: 0.001Lux/F1.5; B/W: 0.0001Lux/F1.5(IR On)
Noise Reduction		2D/3D	
Exposure Mode		Auto, Aperture Priority, Shutter Priority, Gain Priority, Manual	
Exposure Compensation		Support	
Shutter Speed		1/1~1/30000s	
BLC		Support	
HLC		Support	
WDR		Support	
White Balance		Auto, Manual, Indoor, Outdoor, ATW, Sodium lamp, Street lamp, Natural, One Push	
Day/Night		Electrical, ICR(Auto/Manual)	
Focus Mode		Auto, Manual, Semi Auto, Fast Auto, Fast Semi Auto, One Push AF	
Electronic Defog		Support	
Flip		Support	
EIS		Support	
Digital Zoom		16x	
IR Distance		Up to 500m	Up to 800m
IR On/OFF Control		Auto/Manual	
IR LEDs		Laser Module	
Wiper		Support	
PTZ	Material	Integrative structure design, Aluminum-Alloy shell	
	Driving Mode	Turbine Worm Drive	
	Power-Off Protection	Support	
	Pan/Tilt Range	Pan: 360°, Endless; Tilt: -84°~84°	
	Pan/Tilt Speed	Adjustable, pan: 0°~60°/s; Tilt: 0°~40°/s;	
	Tour	4	
	Presets	128	

	Protocol	Pelco-P/D	
	Military Connector	Support	
Ethernet		RJ-45 (10Base-T/100Base-TX)	
RS485		1	
Audio I/O		1/1	
Alarm I/O		1/1	
Cable		5m by default (with 2m Circle Protection part)	
Power Supply		DC24~36V±15% / AC24V	
Power Consumption		47W	54W
Operating Conditions		-30°C~+60°C/20% to 80%RH	
Protection Level		IP66; TVS 4000V Lightning Protection, surge prevention	
Casing		Metal	
Color		White by default (Black Optional)	
Dimensions(L*W*H)		Approx. 240mm*370mm*245mm	
Net Weight		7kg	
Gross Weight		13kg	

### 3. Dimension



#### Hangzhou Savgood Technology Co., Ltd.

Rm. 701, Xincheng Fazhan Building #1, No. 406 Xintiandi Street,  
 Xiacheng District, Hangzhou City, 310004, China  
 Tel: +86 - (571) 8803 8121  
 Email: sales@savgood.com  
<http://www.savgood.com>  
<http://www.savgoodtech.com>

\*Design and specifications are subject to change without prior notification.  
 © 2013 Savgood Technology Co., Ltd.