

SG-PTD2035N-O

- 2Megapixel 35x Zoom Ultra Starlight Network PTZ Dome Camera



1. Features

- > 1/2" Sony CMOS Sensor.
- > Powerful 35x optical zoom (6mm~210mm).
- > Starlight technology
- > H.265 Encoding, 3 Streams
- > Max. 2Mp(1920x1080) Resolution
- > Support various IVS functions
- > Support Electronic Defog & Optical Defog
- > IR distance up to 150m
- > IP66

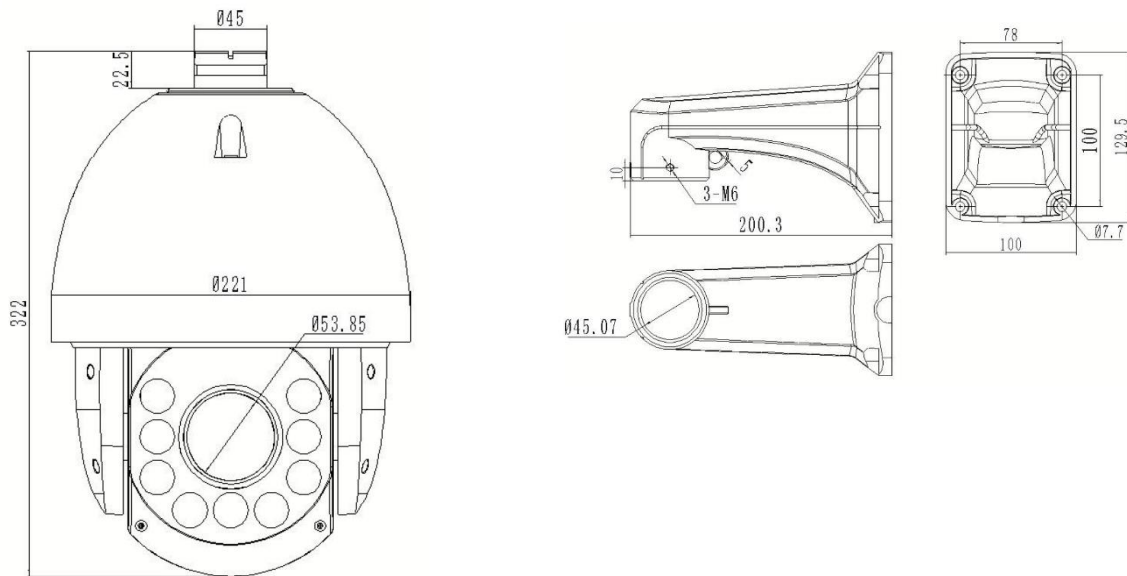
2. Specification

Model		SG-PTD2035N-O			
Sensor	Image Sensor	1/2" Sony Starvis progressive scan CMOS			
	Effective Pixels	Approx. 2.13 Megapixel			
Lens	Focal Length	6mm~210mm, 35x Optical Zoom			
	Aperture	F1.5~F4.8			
	Field of View	H: 61.0°~1.9°, V: 37.2°~1.1°, D: 69°~2.2°			
	Close Focus Distance	1m~1.5m (Wide~Tele)			
	Zoom Speed	Approx. 4 (Optical Wide~Tele)			
	DORI Distance (Human)	Detect	Observe	Recognize	Identify
	2,315m	918m	463m	231m	
Video	Compression	H.265/H.264/H.264H/MJPEG			
	Streaming Capability	3 streams			

	Resolution	50Hz: 25/50fps@2MP(1920×1080) 60Hz: 30/60fps@2MP(1920×1080)
	Video Bit Rate	32kbps~16Mbps
Network	Storage	TF card (256 GB), FTP, NAS
	Network Protocol	Onvif, HTTP, HTTPS, IPv4, IPv6, RTSP, DDNS, RTP, TCP, UDP
	Multicast	Support
General Events		Motion, Tamper, SD Card, Network
IVS		Tripwire, Cross Fence Detection, Intrusion, Abandoned Object, Fast-Moving, Parking Detection, Crowd Gathering Estimation, Missing Object, Loitering Detection.
S/N Ratio		≥55dB (AGC Off, Weight ON)
Minimum Illumination		Color: 0.001Lux/F1.5; B/W: 0.0001Lux@F1.5
Noise Reduction		2D/3D
Exposure Mode		Auto, Aperture Priority, Shutter Priority, Gain Priority, Manual
Exposure Compensation		Support
Shutter Speed		1/1~1/30000s
BLC		Support
HLC		Support
WDR		Support
IR Distance		150m
White Balance		Auto, Manual, Indoor, Outdoor, ATW, Sodium lamp, Street lamp, Natural, One Push
Day/Night		Electrical, ICR(Auto/Manual)
Focus Mode		Auto, Manual, Semi Auto, Fast Auto, Fast Semi Auto, One Push AF
Electronic Defog		Support
Optical Defog		Support, 750nm~1100nm channel is Optical Defog
Flip		Support
EIS		Support
Digital Zoom		16x
PTZ	Pan/Tilt Range	Pan: 360°; Tilt: -5°-90°
	Pan Speed	Configurable, pan: 0.1°-180°/s; preset speed: 180°/s
	Tilt Speed	Configurable, tilt: 0.1°-60°/s; preset speed: 60°/s
	3D Position	Support
	Quick PTZ	Support
	Area Focus	Support
	Presets	255
	Patrol	4 Patrols, up to 10 presets for each patrol
	Pattern	1 pattern scan, 32 actions can be recorded continuously
	Line Scan	1
	360° Pan Scan	1

Interface	Power Supply	AC 24V
	Ethernet	RJ45(10Base-T/100Base-TX)
Working Conditions		(-20°C~+60°C/20% to 95%RH)
Power Supply		AC 24V /3A, PoE
Power Consumption		Day: 6W; Patrol: 9W; Night (Patrol+ IR): 28W
Protection Level		IP66; TVS 4000V Lightning Protection, surge prevention, B/T17626.5
Dimensions(L*W*H)		Φ221(mm)×322(mm)
Weight		6kg

3. Dimension



Hangzhou Savgood Technology Co., Ltd.

Rm. 701, Xincheng Fazhan Building #1, No. 406 Xintiandi Street,
 Xiacheng District, Hangzhou City, 310004, China
 Tel: +86 - (571) 8803 8121
 Email: sales@savgood.com
<http://www.savgood.com>
<http://www.savgoodtech.com>

*Design and specifications are subject to change without prior notification.
 © 2013 Savgood Technology Co., Ltd.