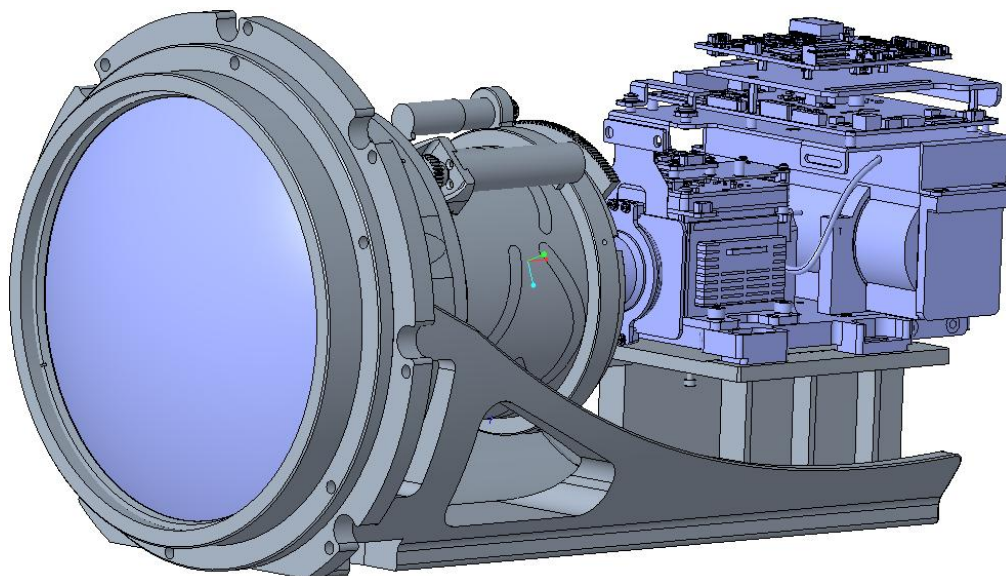


SG-MWZ06N-M40660(40880)

- 15 μ m 640×512 Network Cooled MWIR Zoom Camera Module



1. Features

- > 15 μ m pixel pitch 640×512 Cooled MCT Infrared focal plane FPA detector.
- > 3.7~4.8 μ m Response Spectra.
- > Support 50/60fps@1280×1024 resolution streams.
- > Lens Optional: 40~660mm, 40~880mm Straight continuous zoom.
- > Support EIS function.
- > Support NUC (Nonuniformity Correction), DDE (Digital Detail Enhancement), ADR (Adaptive Dynamic Range adjustment), digital filtering and noise reduction.
- > MTBF is 20,000 hours.
- > Support outputs in network, analog, and SDI.

2. Specification

Model		SG-MWZ06N-M40660	SG-MWZ06N-M40880
Detector	Detector Type	Mercury Cadmium Telluride Cooled Infrared focal plane FPA detector	
	Resolution	640×512	
	Pixel Size	15 μ m	
	Response Spectra	3.7~4.8 μ m	
	NETD	\leq 25mK	
Lens	Lens Focal	40~660mm	40~880mm
	Aperture	F4.0	
	FOV	13.7°×10.9°~0.8°×0.7°	13.7°×10.9°~0.6°×0.5°
Video	Compression	H.265/H.264/H.264H/H.264B/MJPEG	
	Snapshot	JPEG	
	Pseudo Color	Support: White Hot, Black Hot, Fusion, rainbow, etc. Max. 18 kinds.	

	Streams	Main Stream: 25/30fps@(1280×1024, 1280×720, 640×512); Sub Stream1: 25fps@(640×512, 352×288); 30fps@(640×512, 352×240) Sub Stream2: 25fps@(640×512, 352×288); 30fps@(640×512, 352×240)
	Video Bit Rate	1280kbps~6656kbps
	Audio	AAC / MP2L2
Network	Network Protocol	IPv4/IPv6, HTTP, HTTPS, Qos, FTP, SMTP, UPnP, DNS, DDNS, NTP, RTSP, RTP, TCP, UDP, DHCP, PPPoE, 802.1X, IP Filter
	Interoperability	ONVIF Profile S, Open API, SDK
	Max. Connection	20
Intelligence	Normal Event	Motion Detection, Audio detection, IP address conflict, Illegal Access, Storage anomaly
	IVS functions	Support intelligent functions: Tripwire, Cross Fence Detection, Intrusion, Loitering Detection.
Interface	Ethernet	4PIN Ethernet port, 10M/100M self-adaption
	Analog Video	1ch CVBS
	Alarm In/Out	1/1
	Audio In/Out	1/1
	RS485	Support
Digital Zoom		1x, 2x, 4x, 8x
Image Color		Support Brightness, Contrast, Sharpness adjustment
NUC		Support Nonuniformity Correction
DDE		Support Digital Detail Enhancement
SFFC		Support SFFC pot lid correction
ADR		Adaptive Dynamic Range adjustment
Bad pixel correction		Support
Noise Reduction		2D/3D
Flip		Support 180°
Mirror		Support
Crosshair		On/Off
EIS		Support
Dead Point Correction		Support
Sunny Safe		Support
Focus Mode		Auto / Manual / One Push AF
Cooling Time		≤7min@25°C
MBTF		20,000 Hours
Standby Mode		Cooler pump supports low-power consumption standby mode
External Control		TTL 3.3V for Visca, RS485 for PelcoD
Baud rate		9600
Storage Capabilities		Micro SD card, up to 1TB
Output		Network + CVBS + SDI
Operating Conditions		-30°C~+60°C/20% to 80%RH
Storage Conditions		-40°C~+80°C/20% to 95%RH

Power Supply	Cooler: DC 24V±10% Camera board: DC 9~12V	
Power Consumption	Peak power: 65W, steady state: 20W	
Dimensions(L*W*H)	Φ235*400	Φ245*500
Weight	Approx.13kg	Approx.18kg

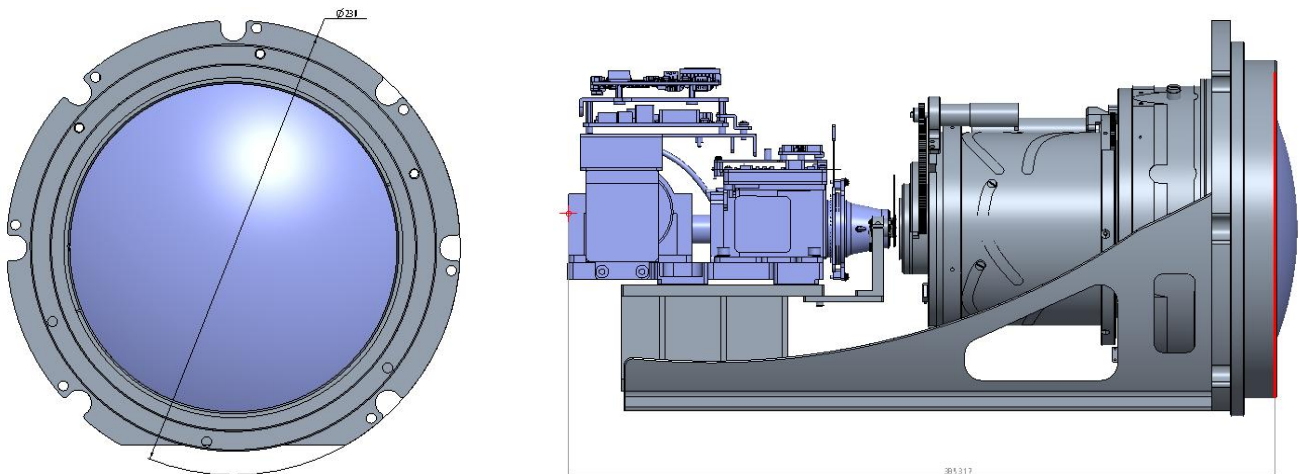
3. DRI Distance

Target: Human size is 1.8m×0.5m (Critical size is 0.75m), Vehicle size is 1.4m×4.0m (Critical size is 2.3m).
The target detection, recognition and identification distances are calculated according to Johnson's Criteria.

The recommended distances of Detection, Recognition and Identification are as follows:

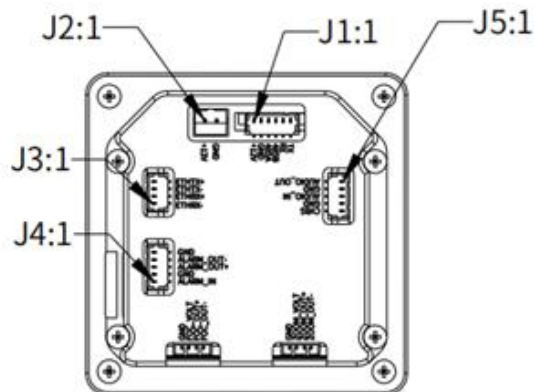
Lens	Detect		Recognize		Identify	
	Vehicle	Human	Vehicle	Human	Vehicle	Human
40mm	4,089m	1,333m	1,022m	333m	511m	167m
660mm	67,467m	22,000m	16,867m	5,500m	8,433m	2,750m
880mm	89,956m	29,333m	22,489m	7,333m	11,244m	3,667m

4. Dimension



SG-MWZ06N-M40660

5. Interface Definition

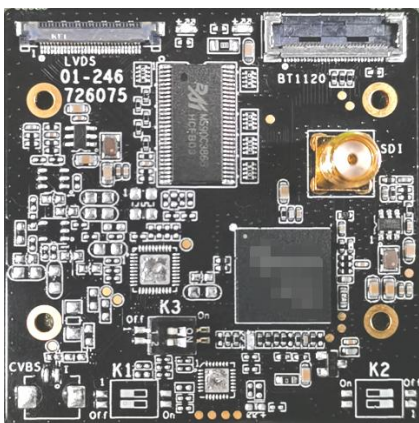


Encoding board

Type	PIN Number	PIN Name	Description
J2_2pin Power (PH_2A, 2.0mm)	1	DC_IN	DC12V±10%
	2	GND	GND
J1_6pin Power & UART Interface (A1251-06A, 1.25mm)	1	DC_IN	DC12V±10%
	2	GND	GND
	3	485+	RS485+, Pelco Protocol
	4	485-	RS485-, Pelco Protocol
	5	UART1_TX	TTL 3.3V, Visca Protocol
	6	UART1_RX	TTL 3.3V, Visca Protocol
J5_5pin Audio (A1251-05A, 1.25mm)	1	AUDIO_OUT	Audio Out (Line Out)
	2	GND	GND
	3	AUDIO_IN	Audio In (Line In)
	4	NC	NC
	5	NC	NC
J4_5pin Alarm (A1251-05A, 1.25mm)	1	Alarm_IN	Alarm In
	2	GND	GND
	3	Alarm_OUT+	Alarm Out+
	4	Alarm_OUT-	Alarm Out-
	5	GND	GND
J3_4pin Ethernet (A1251-04A, 1.25mm)	1	ETHRX-	Adaptive Ethernet port, Internet RX-
	2	ETHRX+	Adaptive Ethernet port, Internet RX+
	3	ETHTX-	Adaptive Ethernet port, Internet TX-
	4	ETHTX+	Adaptive Ethernet port, Internet TX+

6. Accessories

SDI output tail board



Hangzhou Savgood Technology Co., Ltd.

Rm. 1201, Xingcheng Fazhan Building #1, No. 406 Xintiandi Street,
Gongshu District, Hangzhou City, 310022, China

Tel: +86 - (571) 8803 8121

Email: sales@savgood.com

<http://www.savgood.com>

<http://www.savgoodtech.com>

*Design and specifications are subject to change without prior notification.

© 2013 Savgood Technology Co., Ltd.