

**SG-MWZ06N-M20300(65650,90900)****- 15 $\mu$ m 640x512 Network Cooled MWIR Zoom Camera Module****1. Features**

- > 15 $\mu$ m pixel pitch 640x512 Cooled MCT Infrared focal plane detector
- > 3.7~4.8 $\mu$ m Response Spectra
- > Support 25fps@1280x1024 resolution streams
- > Lens Optional: 20~300mm, 65~650mm, 90~900mm Straight continuous zoom
- > Support EIS function
- > Support NUC (Nonuniformity Correction), DDE (Digital Detail Enhancement), EE (Edge Enhancement), ADR (Adaptive Dynamic Range adjustment)
- > MTBF is 20,000 hours
- > Support Network + CBVS video output.

**2. Specification**

Model		SG-MWZ06N-M20300	SG-MWZ06N-M65650	SG-MWZ06N-M90900
Detector	Detector Type	Mercury Cadmium Telluride Cooled Infrared focal plane detector		
	Resolution	640x512		
	Pixel Size	15 $\mu$ m		
	Response Spectra	3.7~4.8 $\mu$ m		
	NETD	$\leq$ 25mK		
Lens	Lens Focal	20~300mm	65~650mm	90~900mm
	F number	F4.0	F4.0	F4.0
	FOV	26.99°x21.75°~1.83°x1.47°	8.44°x6.76°~0.85°x0.68°	6.11°x4.89°~0.61°x0.49°
Video	Compression	H.265/H.264/H.264H/H.264B/MJPEG		
	Snapshot	JPEG		

	Pseudo Color	Support: White Hot, Black Hot, Fusion, rainbow, etc. Max. 18 kinds.
	Streams	Main Stream: 25fps@(1280x1024, 1280x720, 640x512) Sub Stream1: 25fps@(640x512, 352x288) Sub Stream2: 25fps@(640x512, 352x288)
	Video Bit Rate	32kbps~16Mbps
	Audio	AAC / MP2L2
Network	Network Protocol	IPv4/IPv6, HTTP, HTTPS, Qos, FTP, SMTP, UPnP, DNS, DDNS, NTP, RTSP, RTP, TCP, UDP, DHCP, PPPoE, 802.1X, IP Filter
	Interoperability	ONVIF Profile S, Open API, SDK
	Max. Connection	20
Intelligence	Normal Event	Motion Detection, Audio detection, IP address conflict, Illegal Access, Storage anomaly
	IVS functions	Support intelligent functions: <b>Tripwire, Cross Fence Detection, Intrusion, Loitering Detection.</b>
Interface	Ethernet	4PIN Ethernet port, 10M/100M self-adaption
	Analog Video	1ch CVBS
	Alarm In/Out	1/1
	Audio In/Out	1/1
	RS485	Support
Digital Zoom		1x, 2x, 4x, 8x
Image Color		Support Brightness, Contrast, Sharpness adjustment
NUC		Support Nonuniformity Correction
DDE		Support Digital Detail Enhancement
EE		Support Edge Enhancement
ADR		Adaptive Dynamic Range adjustment
Noise Reduction		2D/3D
Flip		Support 180°
Mirror		Support
Crosshair		On/Off
EIS		Support
Dead Point Correction		Support
Sunday Safe		Support
Focus Mode		Auto / Manual / One Push AF
Cooling Time		≤7.5min@25°C
MBTF		20,000 Hours
Standby Mode		Cooler pump supports low-power consumption standby mode
External Control		TTL 3.3V for Visca, RS485 for PelcoD
Baud rate		9600
Storage Capabilities		Micro SD card, up to 1TB
Output		Network + CVBS

Operating Conditions	-30°C~+60°C/20% to 80%RH		
Storage Conditions	-40°C~+70°C/20% to 95%RH		
Power Supply	Cooler: DC 24V±10% Camera board: DC12V±10%		
Power Consumption	Static power: 11W, Sports power: 31W		
Dimensions(L*W*H)	Approx. 348mm*186mm*186m	Approx. 410mm*230mm*230m	Approx. 630mm*278mm*288m
Weight	Approx.5.3kg	TBD	TBD

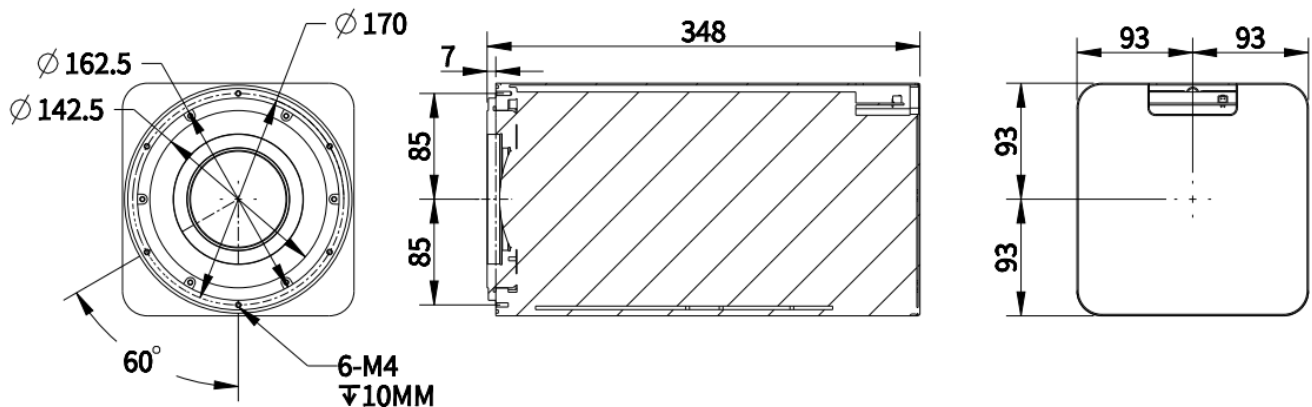
### 3. DRI Distance

Target: Human size is 1.8m×0.5m (Critical size is 0.75m), Vehicle size is 1.4m×4.0m (Critical size is 2.3m). The target detection, recognition and identification distances are calculated according to Johnson's Criteria.

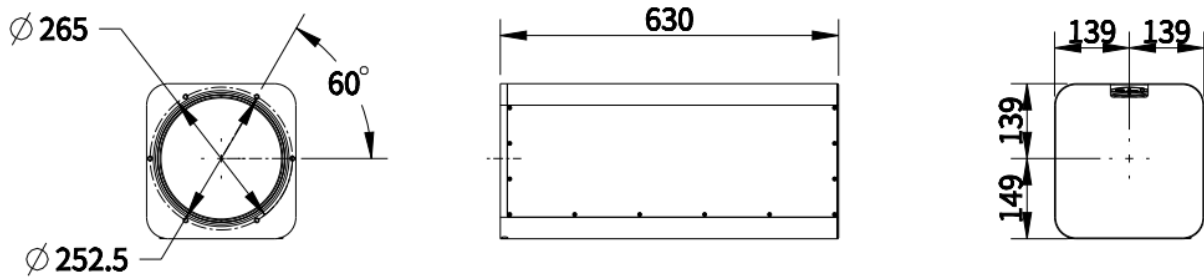
The recommended distances of Detection, Recognition and Identification are as follows:

Lens	Detect		Recognize		Identify	
	Vehicle	Human	Vehicle	Human	Vehicle	Human
20mm	2,044m	667m	511m	167m	256m	83m
65mm	6,644m	2,167m	1,661m	542m	831m	271m
90mm	9,200m	3,000m	2,300m	750m	1,150m	375m
300mm	30,667m	10,000m	7,667m	2,500m	3,833m	1,250m
650mm	66,444m	21,667m	16,611m	5,417m	8,306m	2,708m
900mm	92,000m	30,000m	23,000m	7,500m	11,500m	3,750m

### 4. Dimension

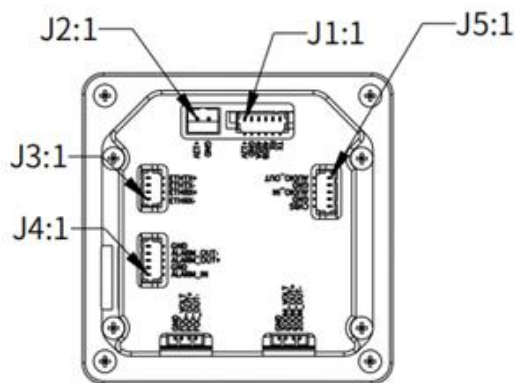


SG-MWZ06N-M20300



SG-MWZ06N-M290900

## 5. Interface Definition



Encoding board

Type	PIN Number	PIN Name	Description
J2_2pin Power (PH_2A, 2.0mm)	1	DC_IN	DC12V±10%
	2	GND	GND
J1_6pin Power & UART Interface (A1251-06A, 1.25mm)	1	DC_IN	DC12V±10%
	2	GND	GND
	3	485+	RS485+, Pelco Protocol
	4	485-	RS485-, Pelco Protocol
	5	RXD0	TTL 3.3V, Visca Protocol
J5_5pin Audio (A1251-05A, 1.25mm)	1	AUDIO_OUT	Audio Out (Line Out)
	2	GND	GND
	3	AUDIO_IN	Audio In (Line In)
	4	GND	GND
	5	CVBS	CVBS
J4_5pin Alarm (A1251-05A, 1.25mm)	1	Alarm_IN	Alarm In
	2	GND	GND
	3	Alarm_OUT+	Alarm Out
	4	Alarm_OUT-	Alarm Out

	5	GND	GND
J3_4pin Ethernet (A1251-04A, 1.25mm)	1	ETHRX-	Adaptive Ethernet port, Internet RX-
	2	ETHRX+	Adaptive Ethernet port, Internet RX+
	3	ETHTX-	Adaptive Ethernet port, Internet TX-
	4	ETHTX+	Adaptive Ethernet port, Internet TX+

---

**Hangzhou Savgood Technology Co., Ltd.**

Rm. 1201, Xingcheng Fazhan Building #1, No. 406 Xintiandi Street,  
Gongshu District, Hangzhou City, 310015, China

Tel: +86 - (571) 8803 8121

Email: sales@savgood.com

<http://www.savgood.com>

<http://www.savgoodtech.com>

\*Design and specifications are subject to change without prior notification.

© 2013 Savgood Technology Co., Ltd.